

710 Style

F Series stainless steel and exotic metal pumps

Fabricated 316 or 304 stainless steel or Hastelloy® on all wetted metal parts offers unrivalled versatility.

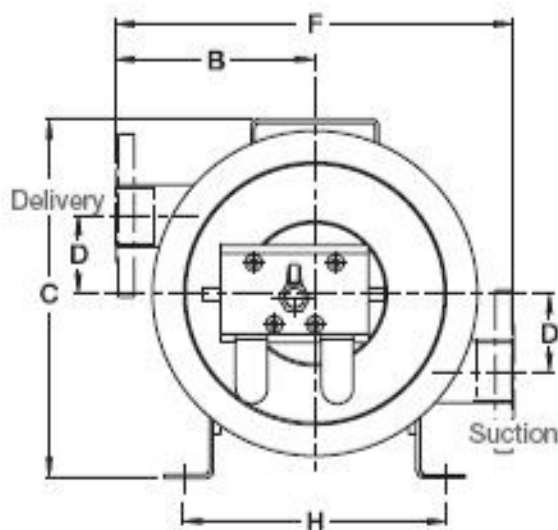
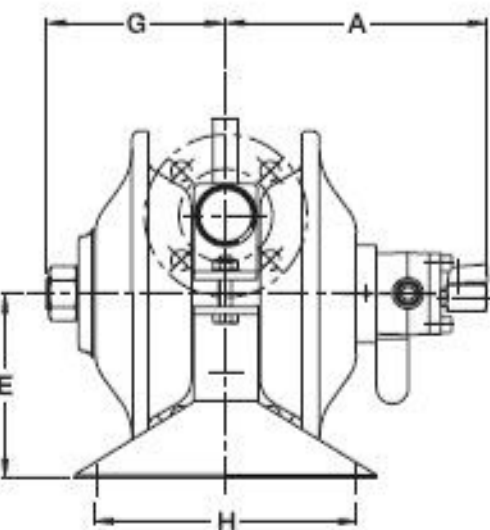
These pumps are used extensively throughout industry from acids to adhesives, cosmetics to ceramics, petrochemicals to paper stock and solvents to solids in suspension. Even dairy and food stuffs.

Only 'one nut' to access diaphragms with pump 'in-line'

Only two nuts and bolts to access balls and seats

Only four bolts to maintain air valve with pump 'in-line'

Max operating temp 121°C (250°F) with high temp diaphragm (specify H as 6th digit in pump code)



Stainless Steel & Exotic Metals										Diaphragm Diameter
Size	A	B	C	D	E	F	G	H	Wt/kg	
½"	190	156	282	60	146	311	145	203	18	10"
1"	200	156	282	60	146	311	145	203	18	10"
1½"	230	156	282	60	146	311	145	203	19	10"
2"	230	156	282	60	146	311	145	203	20	10"
2"-3"	350	250	460	108	230	500	235	254	80	14"

Dimensions in mm

Maximum operating pressure 7.2 bar (105 PSIG)

F-SERIES 710 Style Stainless Steel Pump



Fast Maintenance Double Diaphragm Pumps



F-SERIES 710 Style Stainless Steel Pump

A versatile general purpose stainless pump for industrial use



- Fabricated 316 or 304 stainless steel (or Hastelloy®) on all wetted metal parts offers unrivalled versatility.
- These pumps are used extensively throughout industry from acids to adhesives, cosmetics to ceramics, petrochemicals to paper stock and solvents to solids in suspension. Even dairy and food stuffs.
- **Only 'one nut' to access diaphragms with pump 'in-line'**
- **Only two nuts and bolts to access balls and seats**
- **Only four bolts to maintain air valve with pump 'in-line'**
- Sizes from ½" to 3", with 10" or 14" diaphragms
- Max operating temperature 121°C

Fast Maintenance Double Diaphragm Pumps

