

F-SERIES Chemflo PTFE Pump



Fast Maintenance Double Diaphragm Pumps



F-SERIES Chemflo PTFE Pump

The ultimate solid PTFE/Teflon Double Diaphragm Pump



- A solid block of PTFE/Teflon housed completely inside an outer metal housing for strength and safety.
- Two piece metal housing supports the PTFE/Teflon body whilst allowing the body to expand freely with varying temperatures.
- Used for extremely hazardous acids and chemicals where only PTFE/Teflon can be used.
- Often used in pilot plants or as emergency pumps where chemicals are unknown.
- **Retains “ONE-NUT” maintenance to access the diaphragms.**
- Sizes from 1” to 3”, with 10” or 14” diaphragms
- Max operating temperature 121°C

Fast Maintenance Double Diaphragm Pumps



F-SERIES Chemflo PTFE Pump

1" / 1 1/2" / 2" / 3" All PTFE, PVDF or Polypropylene*
Air Driven Double Diaphragm Pumps

"IN LINE" MAINTENANCE

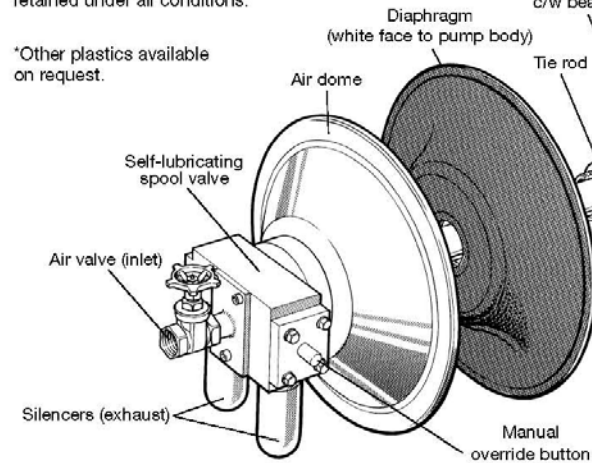
Only one nut to access Diaphragms with pump 'In Line'
Only four screws to maintain Air Valve with pump 'In Line'

- Self Priming (suction lifts 12ft/3.6m dry and 25ft/7.6m wet)
- Will Run Dry
- Can stop/restart against closed/open valve without pressure relief or damage.

INHERENT SAFETY

All PTFE, PVDF or Polypropylene components are retained inside a steel casing which allows the plastic to "breathe-cold flow" under pressure and temperature changes. A perfect seal is retained under all conditions.

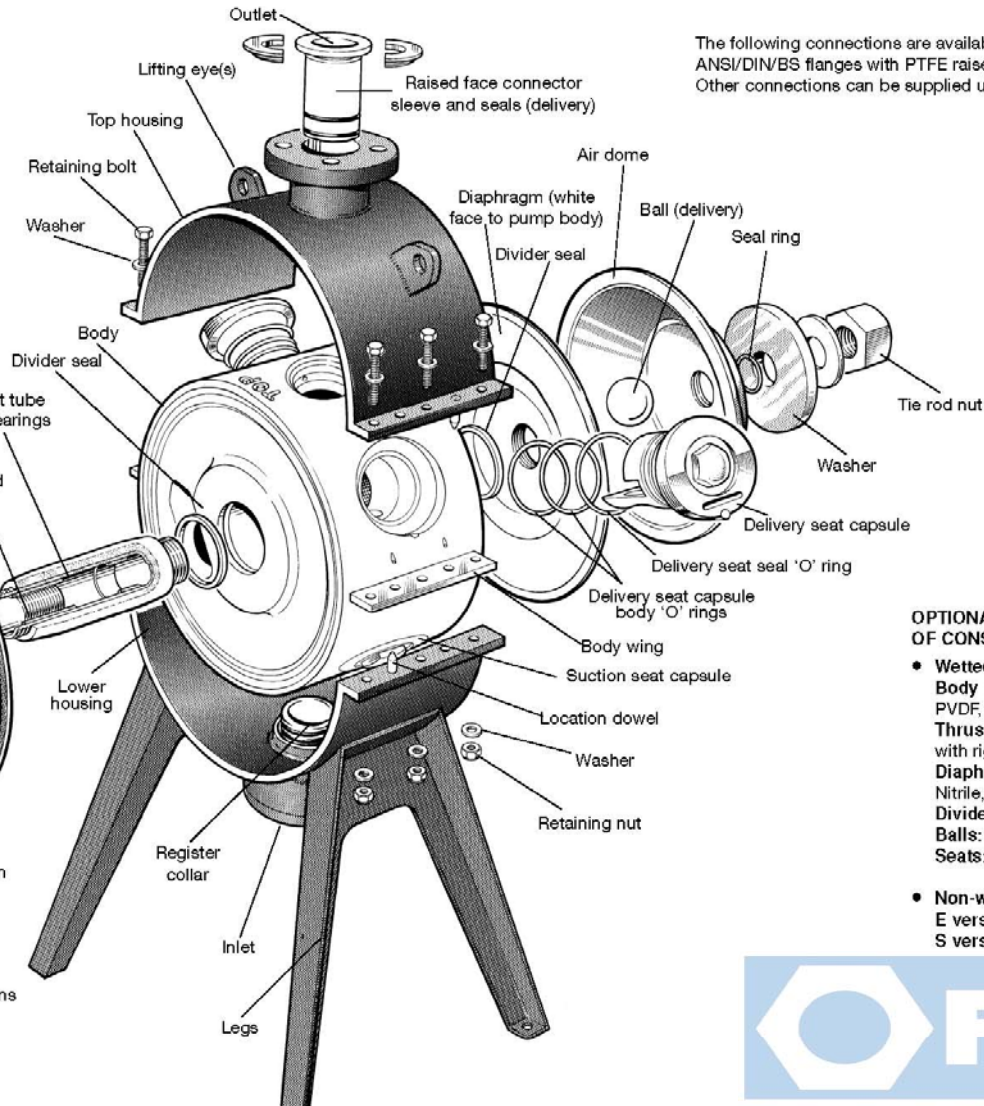
*Other plastics available on request.



AIR SYSTEM

A unique design incorporating Thrust tube bearings and a bolt on Aluminium* Spool valve, including manual override buttons. Latest designs eliminate costly internal air mechanisms and mid position stall normally associated with Double Diaphragm Pumps. No lubrication required.

*Non-Aluminium pump specification is available with Spool valve in Polypropylene or PTFE.



The following connections are available as standard
ANSI/DIN/BS flanges with PTFE raised face.
Other connections can be supplied upon request.

OPTIONAL MATERIALS OF CONSTRUCTION

- **Wetted parts**
Body and Manifolds: PTFE, PVDF, Polypropylene.
Thrust tube: PTFE with rigid metal core.
Diaphragms: PTFE faced rubber, Nitrile, Viton®, EPDM.
Divider seals: PTFE.
Balls: PTFE, Nitrile, Viton®, EPDM.
Seats: PTFE.
- **Non-wetted parts**
E version = Painted Carbon Steel.
S version = Stainless Steel.



Fast Maintenance Double Diaphragm Pumps